

Freeform

Liner Order Form

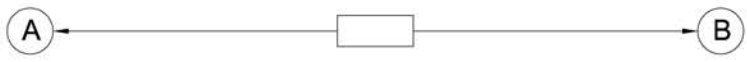


Client Name: _____
 Tag: _____
 Date Required: _____
 Pick-up Transport

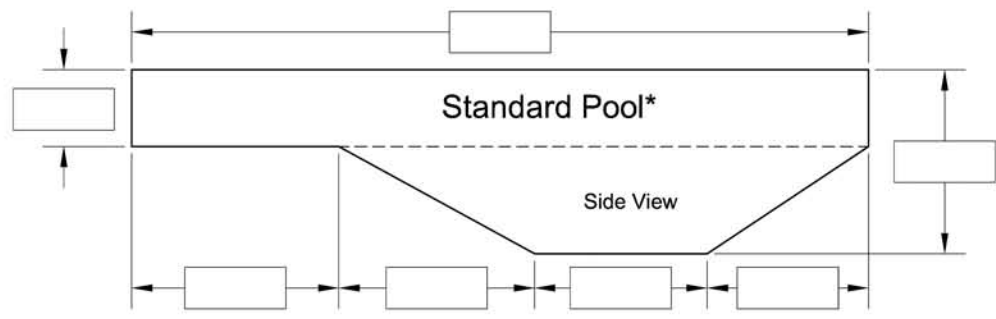
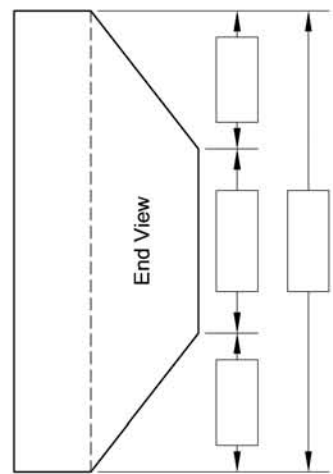
 For internal use only
 P.S. #: _____

Size: _____
 Manufacturer of pool: _____
 Wall Pattern: 20 ML
 30 ML
 Floor Pattern: 20 ML
 30 ML
 Bead: _____
 Standard Overlap: _____ in. Other: _____

Depth: _____ **Wall Height:** _____ **Perimeter:** _____



Indicate desired seam position (X or →).



If slopes are not standard, please fill in a slopes page.

#	A	B	#	A	B	#	A	B	#	A	B
5			13			21			29		
6			14			22			30		
7			15			23			31		
8			16			24			32		
9			17			25			33		
10			18			26			34		
11			19			27			35		
12			20			28					

Use the Extra A-B Points page if required.

K-332 (NOV/2004)

Accessories For Liner

Item	PART#	QUANTITY	UNIT PRICE	TOTAL
Step Gasket Kits				
Step Gasket Kit for Pacific, Trillium, Performance, Kafko brand steps	29-1024-5	<input type="text"/>	79	<input type="text"/>
Step Gasket Kit for Fort Wayne, Triac, Hydra brand steps	31-4000-0	<input type="text"/>	129	<input type="text"/>
Step Gasket Only, Universal (no flange or screws)	28-0122-1	<input type="text"/>	29	<input type="text"/>
Hayward Skimmer Small Mouth Parts (SP1084B)				
Hayward Skimmer Small Mouth Face Plate	21-0404-2	<input type="text"/>	6.99	<input type="text"/>
Hayward Skimmer Small Mouth Gasket	21-0403-1	<input type="text"/>	3.99	<input type="text"/>
Small Face Plate Cover	21-0566-1	<input type="text"/>	5.99	<input type="text"/>
Screws for Skimmers>Returns (order 16)	19-0177-2	<input type="text"/>	0.49	<input type="text"/>
Equator Skimmer Wide Mouth Parts (replaces Hayward SP1085)				
Skimmer Face Flange with Gasket	19-0100-0	<input type="text"/>	24.99	<input type="text"/>
Skimmer Face Plate Gasket Only	19-0159-2	<input type="text"/>	6.99	<input type="text"/>
Skimmer Flange Cover, only goes with Equator Skimmer Face Flange	19-0200-0	<input type="text"/>	8.99	<input type="text"/>
Hayward Wide Mouth Flange Cover	21-0567-1	<input type="text"/>	6.99	<input type="text"/>
Screws for Skimmers>Returns (order 18)	19-0177-2	<input type="text"/>	0.49	<input type="text"/>
Return/Inlet Parts				
Hayward Return/Inlet Face Plate (1408B)	21-0406-4	<input type="text"/>	0.79	<input type="text"/>
Hayward Return/Inlet Gasket (1408C)	21-0405-3	<input type="text"/>	2.99	<input type="text"/>
Hayward Third Return/Inlet Face Plate	21-0568-9	<input type="text"/>	4.99	<input type="text"/>
Hayward Third Return/Inlet Gasket	21-0591-5	<input type="text"/>	2.99	<input type="text"/>
Screws for Skimmers>Returns (order 4)	19-0177	<input type="text"/>	0.49	<input type="text"/>
Main Drain Rings (Faceplates)				
Hayward Main Drain Ring	21-0408-5	<input type="text"/>	6.99	<input type="text"/>
Hayward Main Drain Gasket	21-0591-5	<input type="text"/>	2.99	<input type="text"/>
Hayward Main Drain Grate	21-0415-4	<input type="text"/>	9.99	<input type="text"/>
Miscellaneous				
Light Gasket for Hayward	21-0588-8	<input type="text"/>	7.99	<input type="text"/>
Pro Grade Duct Tape	11-0001-6	<input type="text"/>	5.99	<input type="text"/>
Replacement Rods, Vinyl Over Steps	31-3155-0	<input type="text"/>	17.99	<input type="text"/>
Wedge Lock 120'	05-0117-5	<input type="text"/>	39.99	<input type="text"/>
Wall Foam (1/8")	36-0096-7	<input type="text"/>	109.99	<input type="text"/>
Spray Adhesive	36-0097-6	<input type="text"/>	13.99	<input type="text"/>

Shipping & Handling Fee:

Grand Total Accessories:



PO Box 3222
Okeechobee, Florida 34973
Tel: 888-277-POOL
Fax: 863-467-5750

Credit Card Authorization Form

In order for us to ship any products, the name and address on the credit card must match the name and address on the order form. We can only ship to the address that matches the address on the credit card.

First Name _____

Last Name _____

Address _____

City - State - Zipcode _____

Phone Number _____

Amount of sale _____

Date of sale _____

Credit Card Number (MC, Visa or Discover) _____

Expiration Date _____

CVV2 Value _____

(The CVV2 value is the last 3 numbers on the back of the credit card normally in the signature area)

I agree to pay the above total amount according to card issuer agreement. I am the owner of this credit card listed and accept the charges to be made to my credit card above for the merchandise I am ordering from National Pool Wholesalers.

Signature _____

Date _____

Please fax this form back to us at 863-467-5750. Do NOT email this to us as email is not secure and your credit card number can be exposed on the Internet. You should fax this form to us or send it postal mail.